
36. Seat harnesses

Two four-strap seat harnesses are provided, and each has three anchor points. (See the figure overleaf). The two shoulder straps are secured at one point at the back of the small storage area between the seats and baggage bay, and are permanently stitched to the two lap straps. The outer lap straps are anchored to the fuselage sides, the inner straps to the central tunnel.

The lap straps connect to each other in the centre with a simple to engage single tongue and socket. A push-button on the side of the socket is depressed to disengage the tongue.

Installation

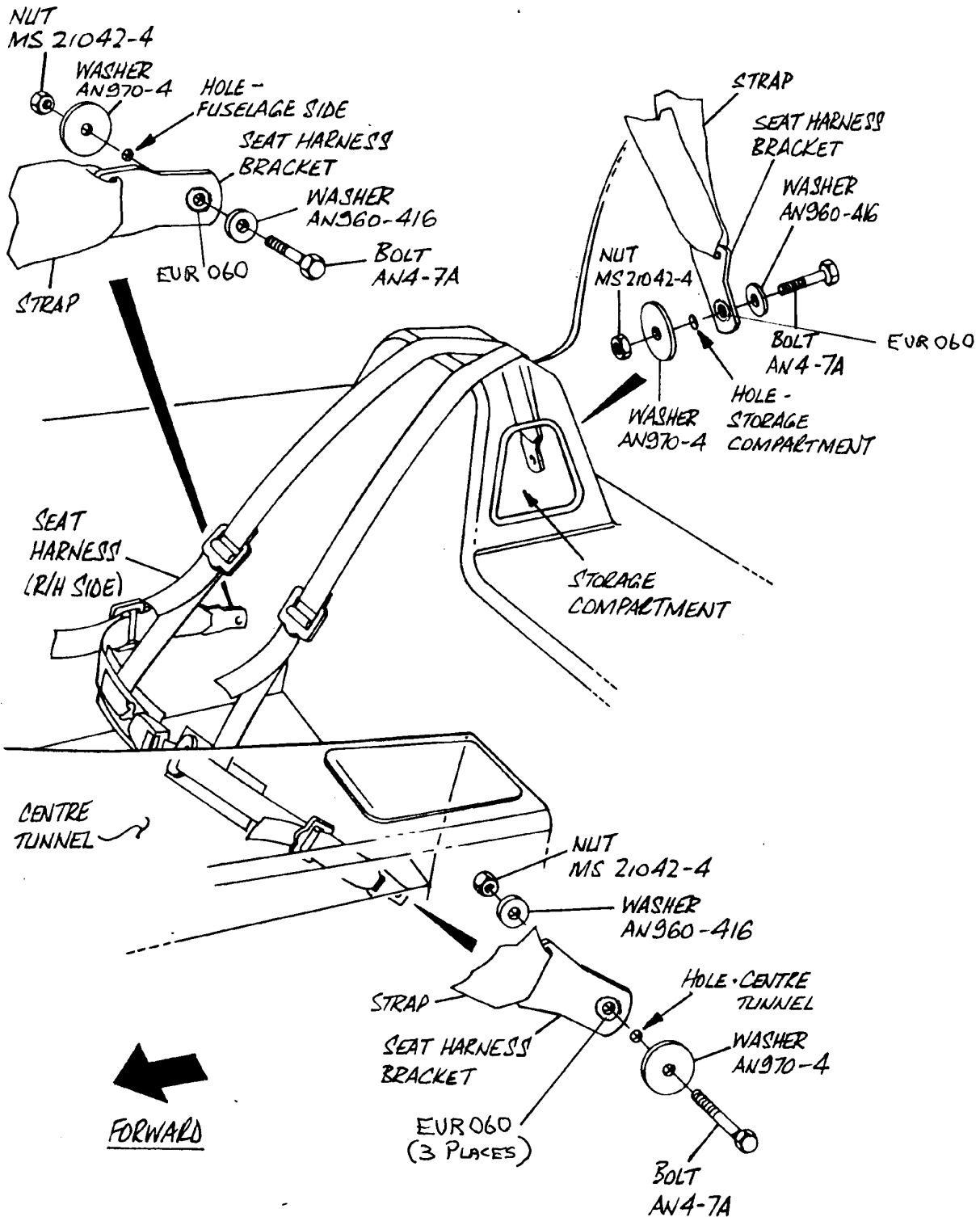
You should have already drilled holes adjacent to the rudder cable pulley attachment bolts in preparation for attaching the inboard lap straps. If you haven't, refer to figure 6 on page 17-3.

For the outboard lap straps, locate the square metal insert in the fuselage side just forward of the seat back each side. Drill a $\frac{1}{4}$ " hole through the centre of both inserts.

For the shoulder straps, locate the metal inserts in the rear of the seat back storage areas and drill a $\frac{1}{4}$ " hole through the centre of each of them.

Install the harnesses according to the figure overleaf. Tighten the end fittings at the appropriate angle you want to end up at; they are not designed to swivel.

Please note that harnesses supplied after May 2003 will require an insert EUR060 in each attachment bracket.



Seat harness attachment, starboard side shown.