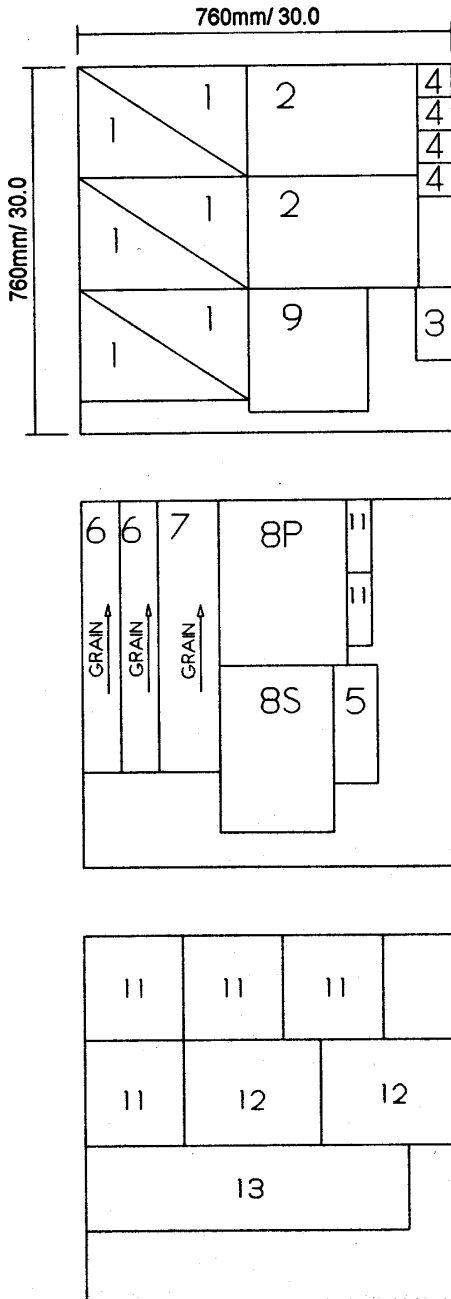




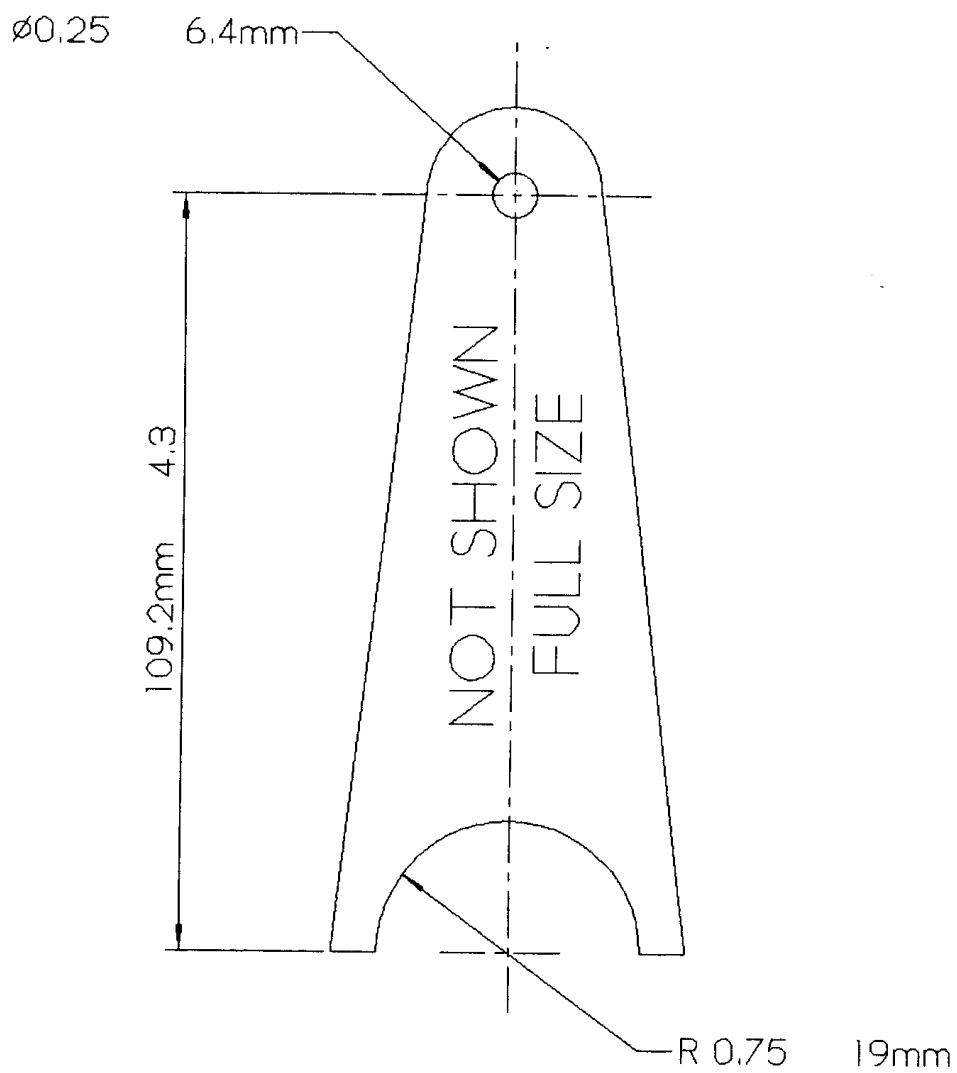
Annex A



FUSELAGE KIT BULKHEADS
AND INSERTS
3mm BIRCH PLY BB GRADE

- 1 THIGH SUPPORT RIBS
 - 2 HEADREST FLOORS
 - 3 (TRI-GEAR ONLY)
FLAP ACTUATOR HARD POINT
 - 4 SPAR PIN BUSH
REINFORCEMENTS
 - 5 REAR BULKHEAD INSERT
 - 6 TAILPLANE MASS BALANCE
STOP SIDE PIECES
 - 7 TAILPLANE PUSH-ROD
CONTAINMENT BULKHEAD
 - 8 RUDDER PEDAL FLOORS
 - 9 COCKPIT MODULE TUNNEL BULKHEAD
(MONO-WHEEL ONLY)
 - 10 PACKING PIECES FOR
CS14 BRACKETS
 - 11 BAGGAGE BAY SUPPORT RIBS
 - 12 BAGGAGE BAY FLOOR ACCESS PANELS
 - 13 CEILING PANEL
- } NOTE GRAIN
DIRECTION

Fig 1. 3 mm plywood cutting plan.



THIS TEMPLATE SHOULD BE MARKED OUT FROM THE DIMENSIONS.
DO NOT TRACE

Fig 2. Pitch trim template.

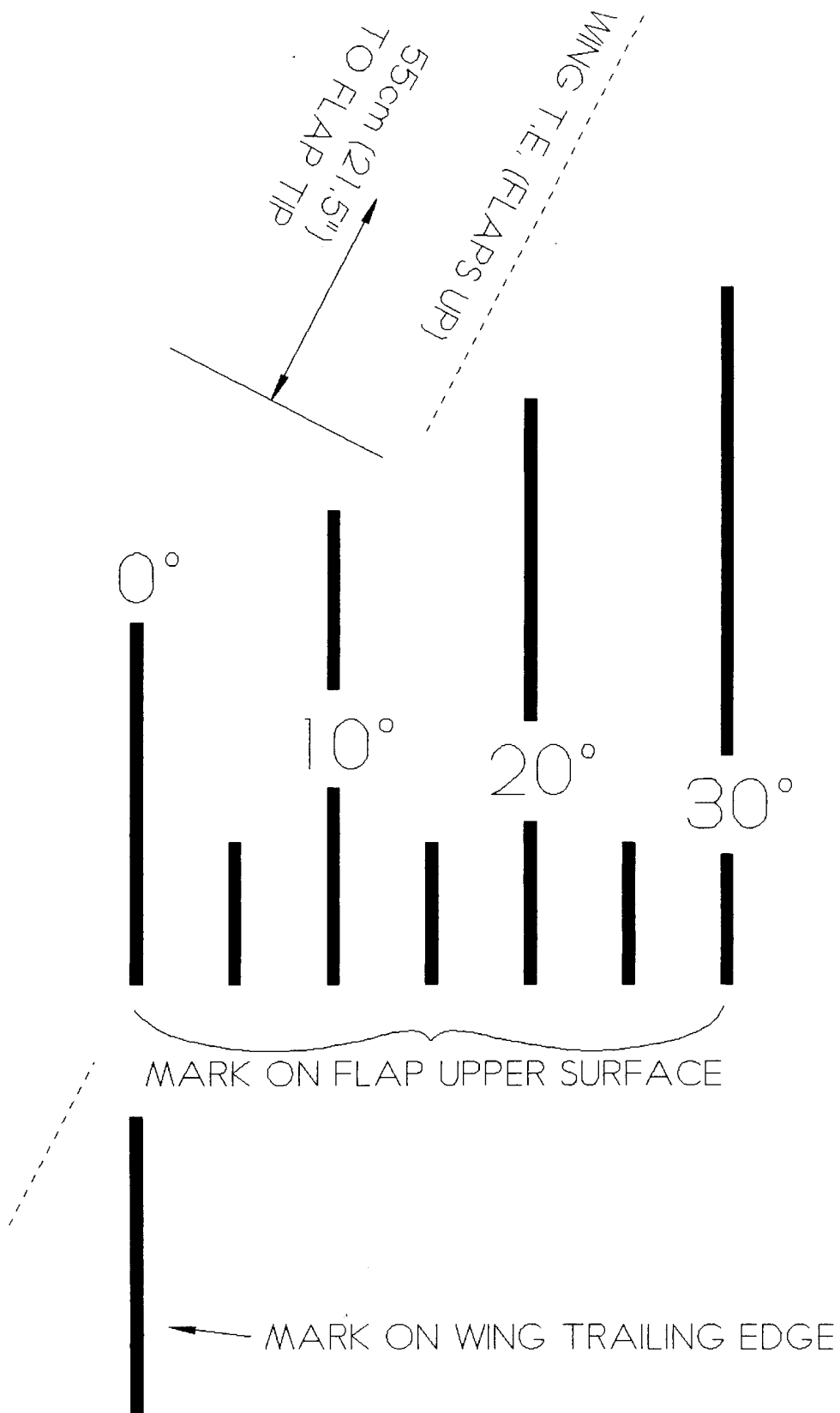
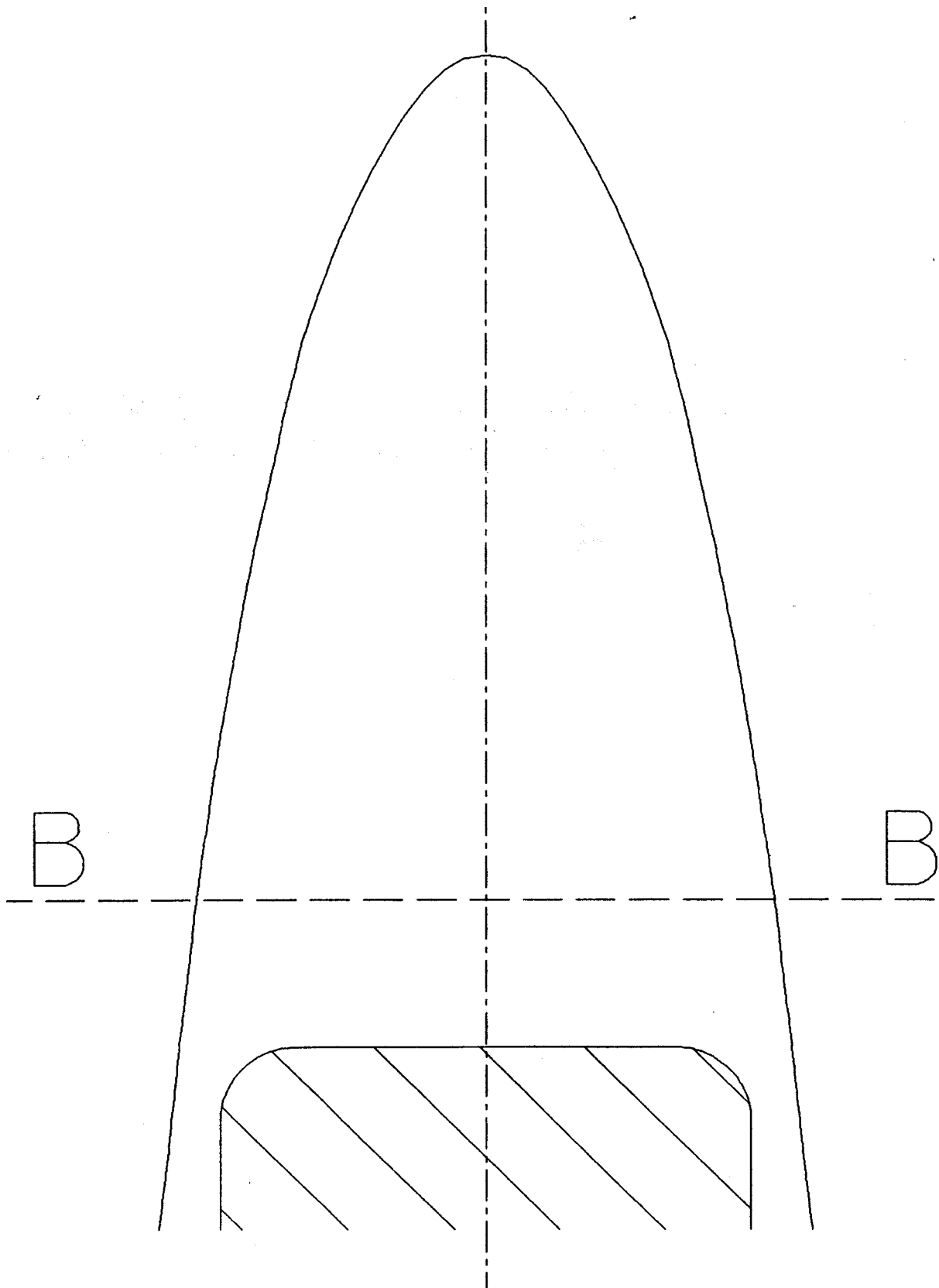


Fig 3. Flap position indicator - trigear.





INTENTIONALLY BLANK