
Fuel tank vent pipe extension

Classification - Optional

Applicability - All Europa aircraft

Compliance - N/A

Introduction

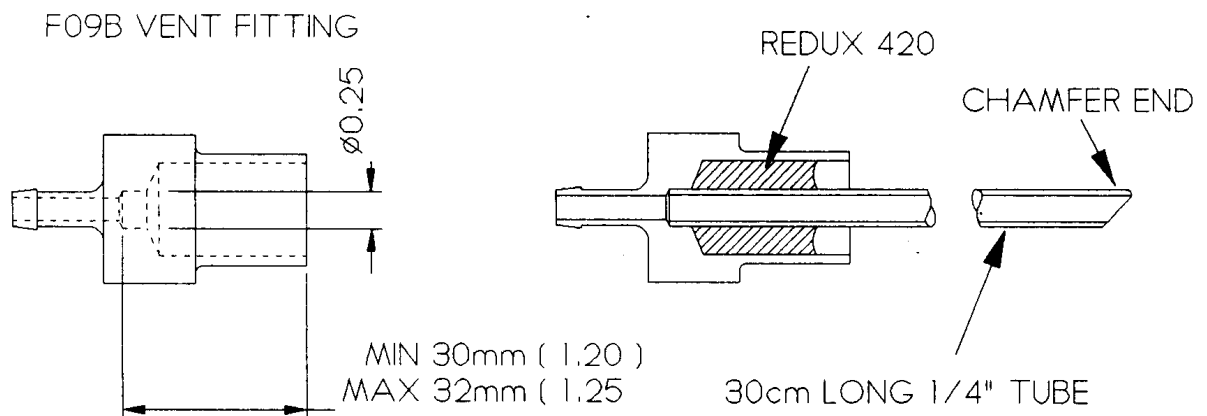
The existing fuel tank vent does not allow the tank to be fully filled when the aircraft is on the ground tail down, as a “wedge” of air is trapped in the top front of the tank. This modification overcomes that problem. It also reduces the possible overspill of fuel from the vent outlet after filling to capacity.

Action

Ensure that the fuel level is well below the tank vent, and remove the vent fitting. Plug the vent opening in the fuel tank while you do the following:-

Drill the vent fitting $\frac{1}{4}$ ” diameter to a depth of 30 to 32mm (1.2” to 1.25”) as shown in the figure.

Fit a 30 cm (12”) length of $\frac{1}{4}$ ” o.d. aluminium tube into the drilled section, and part fill the space between the tube and the large bore of the fitting with Redux 420. Leave to cure fully. Chamfer the end of the tube so inadvertent contact with the tank won’t block it, and bend it slightly so that it ends up in the top corner of the tank.



Refit the fitting into the fuel tank, checking that the end of the tube lies at the top front of the tank.

Annotate the aircraft records - Mod 34 incorporated.